

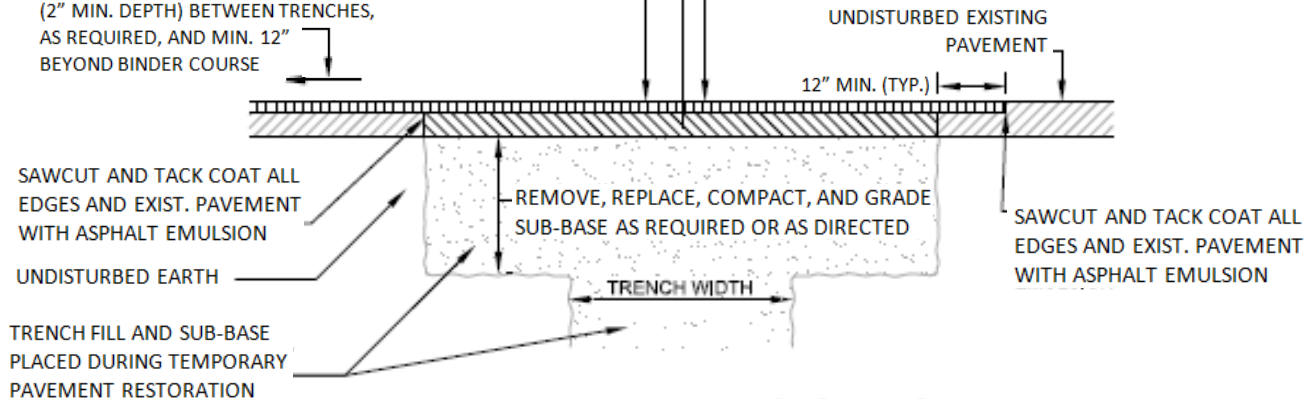
### CONTINUOUS ZONE (CZ) RESTORATION

REMOVE TEMPORARY SURFACE COURSE AND GRAVEL AS REQUIRED. RESHAPE AND COMPACT GRAVEL SUB-BASE, INSTALL BASE AND PERMANENT RESURFACING. MATCH EXISTING PAVEMENT THICKNESS.

COLD PLANE AND OVERLAY (2" MIN. DEPTH) BETWEEN TRENCHES, AS REQUIRED, AND MIN. 12" BEYOND BINDER COURSE

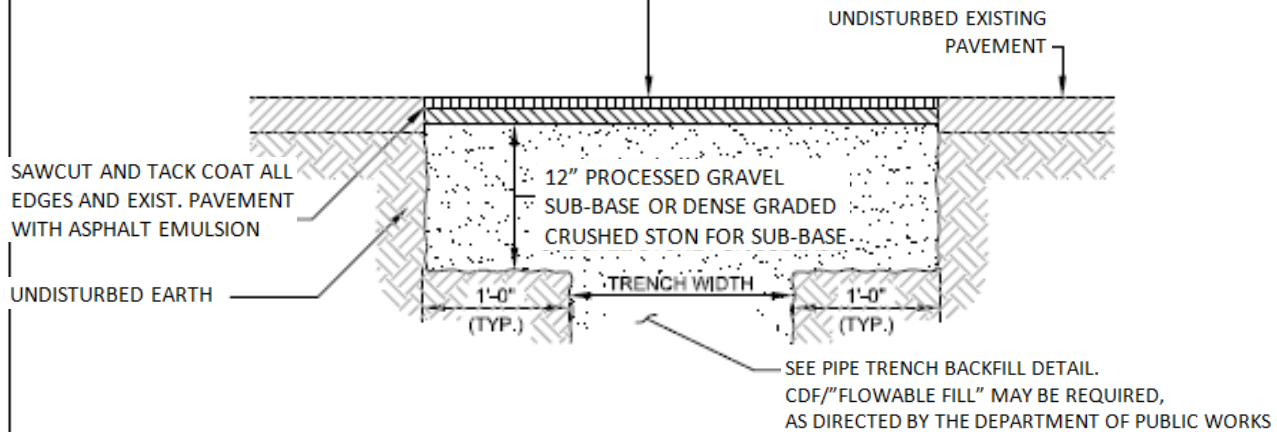
### PERMANENT TRENCH RESTORATION

REMOVE TEMPORARY SURFACE COURSE AND GRAVEL AS REQUIRED. RESHAPE AND COMPACT GRAVEL SUB-BASE, INSTALL BASE AND PERMANENT RESURFACING. MATCH EXISTING PAVEMENT THICKNESS.



### PERMANENT PAVEMENT RESTORATION

COMPACT TRENCH BACKFILL, INSTALL GRAVEL SUB-BASE, INSTALL 4" MIN DEPTH OF HOT MIX ASPHALT TYPE J. (IF EXISTING DEPTH >8", THEN INSTALL 6" MIN. DEPTH OF HOT MIX ASPHALT). BITUMINOUS CONCRETE SHALL BE INSTALLED IN 2 EQUAL COURSES.



### TEMPORARY PAVEMENT RESTORATION

**PAVEMENT DETAILS FOR TRENCH RESTORATION**  
NOT TO SCALE

**CITY OF ATTLEBORO**  
Department of Public Works  
Phone: 508-223-2222

